



Two-wire/Plug-in Sensor

Toxic Gas Transmitters

Models TX- [*]EP-A / TX-[*]EP-D / TX-[*]EP-N



✚ Plug-in Sensor for Easy Replacement

✚ Disposable Type Sensor

✚ One-man calibration

✚ Low power consumption

Model TX-1250EP-A

Bionics offers simple, compact yet complete toxic gas detecting systems with the TX-[*]EP-A/EP-D/EP-N transmitter series.

The Bionics disposable type toxic gas sensors GS-[*]EP, to be used in combination with the TX-[*]EP-A/EP-D/EP-N transmitters, are gas-specific, stable and available for a wide range of different gases.

Furthermore, sensor is new plug-in type which provides easy replacement. The transmitter is equipped with zero and span adjustments accessible, allowing one-man calibration without communication with control room personnel.

* 3 or 4 digits gas code number as same as sensor model number which indicate in the Measuring gas name and range on next page.

Measuring gas name and range

Sensor model	Gas name	Range (ppm)	Sensor model	Gas name	Range (ppm)
GS-250EP	H ₂ S	0-50	GS-2250EP	EtO	0-150
GS-550EP	SO ₂	0-6	GS-3050EP	TEOS	0-30
GS-1100EP	O ₂	0-25%	GS-3355EP	VCM	0-200
GS-1250EP	CO	0-75	GS-5050EP	SiH ₄	0-15
GS-1555EP	H ₂	0-4000	GS-5050EP	PH ₃	0-1
GS-1790EP	NO	0-100	GS-5050EP	AsH ₂	0-0.2
GS-2150EP	IPA	0-600	GS-5050EP	GeH ₄	0-0.6



GS-[*]EP Sensor

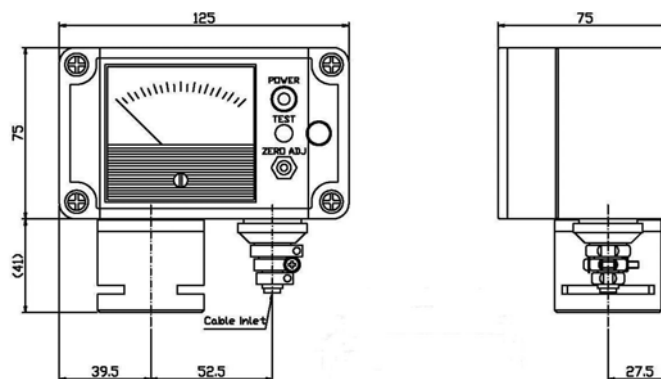
Above table indicates typical sensor model, gas name and standard range.

When you need different gases information, feel free to contact Bionics Instrument group below.

Specifications

Transmitter model	TX-[*]EP-A	TX-[*]EP-D	TX-[*]EP-N
Detecting principle	Electrochemical		
Response	T60 < 30 sec		
Accuracy	± 30% of Alarm setting amount		
Display	Analog	Digital	Non
Sampling style	Diffusion, Continuous, Single point		
Mounting style	Wall mount		
Operating temperature	0 ~ 40°C		
Explosion proof	Non		
Power requirement	24 V DC (2 wire system)		
Power consumption	Approx. 1 W		
Dimension	Approx. 125(W) x 115(H) x 75(D) mm		
Weight	Approx. 1 kg		

External view & Dimensions



Unit : mm

※We reserve the right to change specifications without notice.

Bionics Instrument Co., Ltd.

6-1254-2 Shimizu, Higashi-yamato, Tokyo, 207-0004 Japan
 TEL: +81-42-561-4856 FAX: +81-42-565-3950
 e-mail: trade@bionics-japan.co.jp URL: <http://www.bionics-japan.co.jp>

Bionics Instrument Europe B.V.

Maxwellstraat 7, 1704 SG Heerthugowaard, The Netherlands
 TEL: +31-72-576 5630 FAX: +31-72-572 1818
 e-mail: sales@bionics-europe.com URL: <http://www.bionics-europe.com>

PureAir Monitoring Systems Inc.

557 Capital Drive, Lake Zurich, IL 60047, USA.
 TEL: +1-847-726-6000 FAX: +1-847-726-6051 Toll Free: 888-788-8050
 e-mail: info@pureaire.net URL: <http://www.pureairemonitoring.com>

Global Bionics Trading Corp.

No.18, Alley 29, Lane 335, Chenggong Rd., Hukou Township, Hsinchu County 30345, Taiwan.
 TEL: +886-3-553-8986 FAX: +886-3-553-8987
 e-mail: gbionics@ms56.hinet.net URL: <http://www.bionics.com.cn>