



Two-wire / For Remote Sensor

Toxic Gas Transmitters

Models TX-[*]FH / TX-[*]FHD / TX-[*]FHN

- Best seller simple and compact models
- Various detections are done by Remote sensors
- One-man calibration
- Low power consumption



Model TX-100FH

Bionics offers simple, compact yet complete toxic gas detecting systems with the TX-[*]FH/FHD/FHN transmitters.




The Bionics toxic gas sensors, to be used in combination with the TX-[*]FH/FHD/FHN transmitters, are gas-specific, stable and available for a wide range of different gases.

TX-[*]FH/FHD/FHN transmitters are used with remote type sensor and sensor housing. It allows to make various detection systems easily.

The transmitter is equipped with zero and span adjustments accessible, allowing one-man calibration without communication with control room personnel.

* 3 or 4 digits gas code number as same as sensor model number.

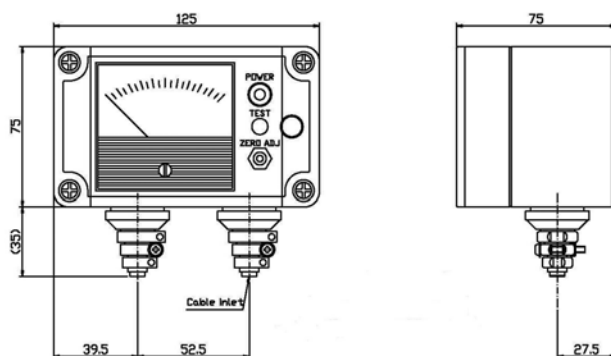
Combination with remote sensors

	Out door	In door		
Sensor model	GS-[*]BX/BY	GS-[*]HX/HY	GS-[*]DX/DY (L=3m)	GS-[*]EP
Sensor housing model	SH-60B 	SH-60H 	Depends on application	Extension cable ETC-2 (3m) 

Specifications

Transmitter model	TX-[*]FH	TX-[*]FHD	TX-[*]FHN
Detecting principle	Electrochemical		
Response	T60 < 30 sec		
Accuracy	± 30% of Alarm setting amount		
Display	Analog	Digital	Non
Sampling style	Diffusion, Continuous, Single point		
Mounting style	Wall mount (optionally available 1.5 or 2B pipe mount)		
Operating temperature	0 ~ 40°C		
Explosion proof	Non		
Power requirement	24 V DC (2 wire system)		
Power consumption	Approx. 1 W		
Dimension	Approx. 125(W) x 110(H) x 75(D) mm		
Weight	Approx. 1 kg		

External view & Dimensions



Unit : mm

※We reserve the right to change specifications without notice.

Bionics Instrument Co., Ltd.

6-1254-2 Shimizu, Higashi-yamato, Tokyo, 207-0004 Japan
 TEL: +81-42-561-4856 FAX: +81-42-565-3950
 e-mail: trade@bionics-japan.co.jp URL: <http://www.bionics-japan.co.jp>

Bionics Instrument Europe B.V.

Maxwellstraat 7, 1704 SG Heerthugowaard, The Netherlands
 TEL: +31-72-576 5630 FAX: +31-72-572 1818
 e-mail: sales@bionics-europe.com URL: <http://www.bionics-europe.com>

PureAire Monitoring Systems Inc.

557 Capital Drive, Lake Zurich, IL 60047, USA.
 TEL: +1-847-726-6000 FAX: +1-847-726-6051 Toll Free: 888-788-8050
 e-mail: info@pureaire.net URL: <http://www.pureairemonitoring.com>

Global Bionics Trading Corp.

No.18, Alley 29, Lane 335, Chenggong Rd., Hukou Township, Hsinchu County 30345, Taiwan.
 TEL: +886-3-553-8986 FAX: +886-3-553-8987
 e-mail: gbionics@ms56.hinet.net URL: <http://www.bionics.com.cn>