

- Versatile System Configuration
- Flammable, Oxygen and Toxic Gases
- 1 to 4 sensors
- Plug in sensor channel cards
- Two alarm stages
- Selectable alarm relays
- Analogue 4-20mA output
- Delay to alarm option



Application

The GDS 404 has been designed with features that provide an effective response to the detection of gas hazards in a wide range of environments, from commercial premises through to heavy industrial applications requiring hazardous area sensing.

Typical monitor locations are public buildings, boiler plant rooms, swimming pools, water treatment works, H&V control systems, manufacturing and processing plants.

Technical Data

Sensor points Measurements	<ul style="list-style-type: none"> • 1 ~ 4 • Combustible Gas - L.E.L., % vol, ppm • Toxic Gas - ppm, % vol • Oxygen - % vol Depletion/Enrichment • Any 4~20mA input signal
Power supply	<ul style="list-style-type: none"> • 230/115v AC or 24v DC and specials
Power Consumption	<ul style="list-style-type: none"> • 12 watts - full alarm
Indicators	<ul style="list-style-type: none"> • Power - Green L.E.D • Mains Fail - power indicator change green to amber • Alarms - Red L.E.D.s • Fault - Amber L.E.D • Digital Display - 3½ Digit - gas readout • Sensor channel selection indicator - Amber L.E.D • System test - Alarm L.E.D.s flashing • Alarm Relay Inhibit - Fault L.E.D on
Outputs	<ul style="list-style-type: none"> • High Alarm Relay - Common D.P.C.O Normally energised or de-energised, latched or unlatched • Low Alarm Relay - Common D.P.C.O Normally energised or de-energised, latched or unlatched

- Fault Alarm Relay - Common S.P.C.O
Normally energised or de-energised
- Channel Relays - 1 per channel high or low selectable S.P.C.O
Normally energised or de-energised, latched or unlatched
- General Alarm Relay - resetable S.P.C.O
- All contacts rated 5A-230vAC
- Analogue 4 ~ 20mA output per channel
- Output 24vDC @ 100mA max - auxiliary equipment (non inductive)

Audible Alarm

- Permanent mute option.
Lo, Hi, Fault alarms

Alarm Settings

- Digital Setting (fully adjustable between zero and fullscale)
- Delay to alarm T1 - 10 seconds, T2 - 30 seconds, T1 + T2 - 10 minutes

Sensor inputs

- Bridge type 3 wire mV input
- 4~20mA (electrochemical/infrared)

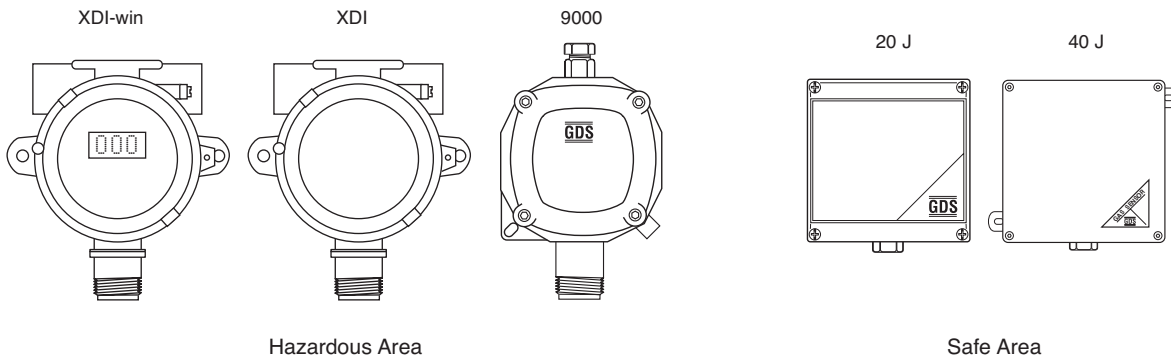
Sensor cable

- 3 core 1.5mm² screened < 1.5km

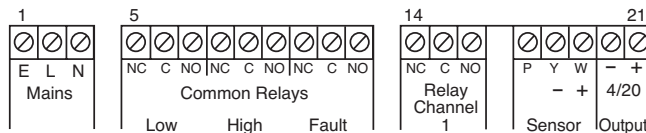
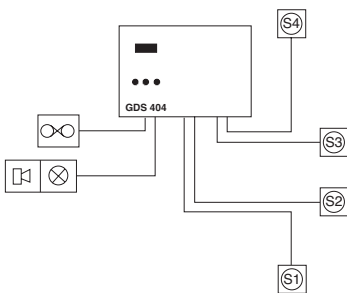
Miscellaneous

- EMC approvals EN50270 Marine EN60945
- Enclosure - cable entry - bottom/rear
- Operating temperature -10 to +50° C
- Relative Humidity 0 - 90%
- Protection IP52 - option IP65
- Dimensions 310W x 265H x 75Dmm
- Weight 3.6kg
- Optional backup battery
- Field terminals - 2.5mm quick release
- System/lamp test
- Remote Accept/Reset
- Alarm isolate during service - inhibit

Sensors



Field Terminals



Repeated for each channel 1~4 terminals 14-21



This document is not contractual and the equipment specification may be modified at any time without prior notice.

GDS Technologies Ltd
 Fusion Point, Ash Lane
 Garforth, Leeds LS25 2GA
 Tel +44 (0)113 286 0166
 Fax +44 (0)113 287 8178
 sales@gds-technologies.co.uk
 www.gds-technologies.co.uk

